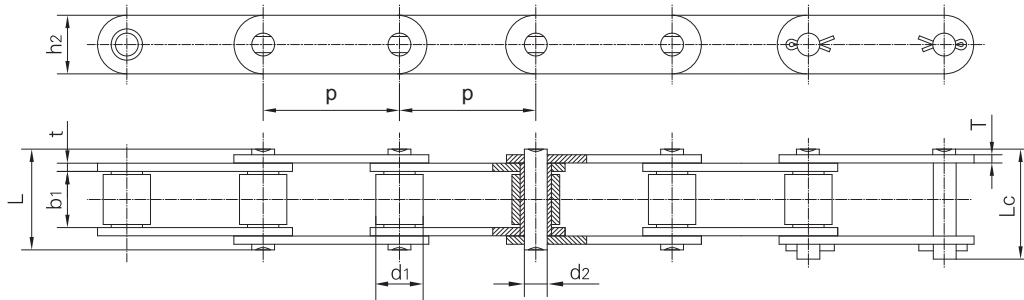
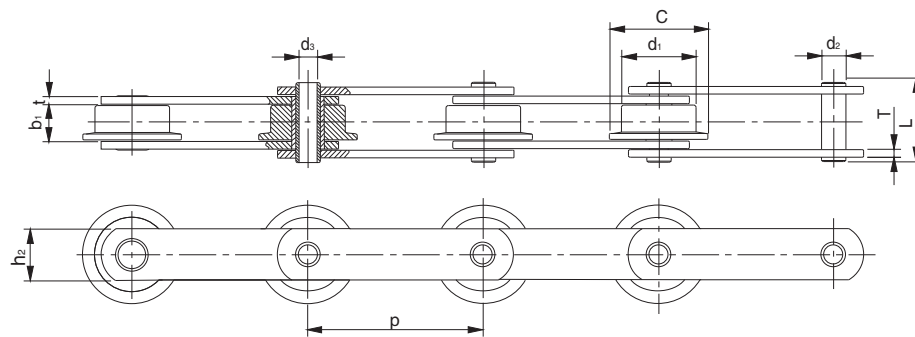


木材输送链 Wrench chains



链号 Chain No.	节距 Pitch	滚子 直径 Roller diameter	内节内宽 Width between inner plates	销轴 直径 Pin diameter	销轴长度 Pin length		内链板 高度 Inner plates depth	链板 厚度 Plate thickness	抗拉强度 Ultimate tensile strength	每条 长重 Mass per piece
Dongfeng	p mm	d1 max mm	b1 min mm	d2 max mm	L max mm	Lc max mm	h2 max mm	t/T max mm	Fu min kN/lb	q ≈ kg/pc
81X	66.27	23	27.00	11.10	49.00	53.50	28.50	4.00	106.7	3.78
81XH	66.27	23	27.78	11.10	60.70	65.10	31.35	7.94/5.55	151.9	5.88
81XHH	66.27	23	27.78	11.10	65.60	70.00	31.35	7.94	191.1	6.7

污水处理设备用链 Steel chains for sewage disposal



链号 Chain No.	节距 Pitch	内节内宽 Width between inner plates	滚子尺寸 Roller dimensions		销轴尺寸 Pin dimensions		销轴长度 Pin length	链板尺寸 Plate dimensions			抗拉强度 Ultimate tensile strength	每米重量 Mass per meter
Dongfeng	p mm	b1 min mm	d1 max mm	C max mm	d2 max mm	d3 max mm	L max mm	h2 max mm	T max mm	t max mm	Q min kN	q ≈ kg/m
W152	152.4	25.40	66.7	85.7	27.1	20.0	58.8	50.0	5.0	7.0	110.0	10.50