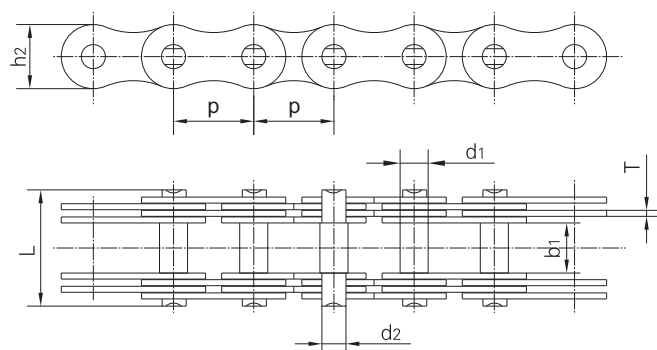
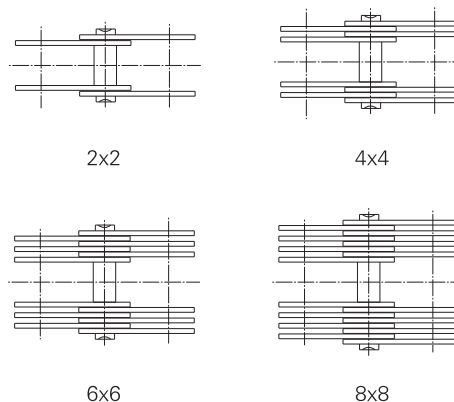


多板销轴链
Multiple plate bearing pin chains

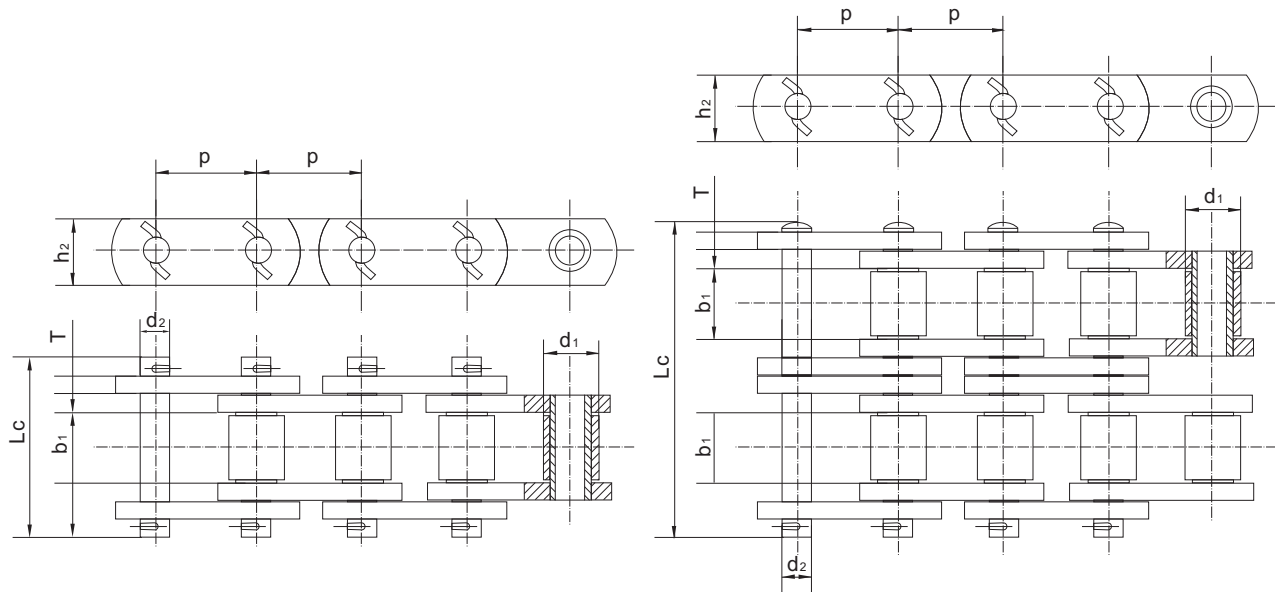


链板组合
Plate lacing



链号 Chain No.	节距 Pitch	内节内宽 Width between inner plates	链板组合 Plate lacing	销轴直径 Pin diameter		销轴长度 Pin length	链板高度 Plate depth	链板厚度 Plate thickness	抗拉强度 Ultimate tensile strength	每米重量 Mass per meter
				d1 max	d2 max					
DIN Dongfeng	P	b1 min		d1 max	d2 max	L max	h2 max	T	Fu min	q ≈
	mm	mm		mm	mm	mm	mm	mm	kN	kg/m
MP15	15	12	2X2	5	4	25	12	2.0	5.0	0.7
MP20	20	15	2X2	8	6	28	15	2.0	12.5	1.1
MP25	25	18	2X2	10	8	36	18	3.0	25.0	1.8
MP30	30	20	4X4	11	9	51	20	3.0	40.0	3.4
MP35	35	22	4X4	12	10	53	26	3.0	60.0	4.5
MP40	40	25	4X4	14	12	58	32	3.0	80.0	5.0
MP45	45	30	4X4	17	14	63	35	3.0	100.0	7.0
MP50	50	35	4X4	22	18	90	40	4.5	150.0	11.3
MP55	55	40	4X4	24	21	108	42	6.0	200.0	14.5
MP60	60	45	4X4	26	23	114	46	6.0	250.0	17.1
MP70	70	50	6X6	32	28	148	55	6.0	375.0	34.0
MP80	80	60	6X6	36	32	159	60	6.0	500.0	39.0
MP90	90	70	6X6	40	36	184	70	7.0	750.0	53.0
MP100	100	80	8X8	45	40	224	80	7.0	1000.0	77.0
MP110	110	90	8X8	50	45	236	90	7.0	1250.0	90.0
MP120	120	100	8X8	55	50	262	100	8.0	1500.0	112.0

双链重载直板滚子链 Heavy duty draw bench chains



链号 Chain No.	节距 Pitch	滚子直径 Roller diameter	内节内宽 Width between inner plates	销轴直径 Pin diameter	销轴长度 Width over bearing pins	链板高度 Plates depth	链板厚度 Plate thickness	排距 Transverse pitch	抗拉强度 Ultimate tensile strength	每米重量 Mass per meter
JB	p	d1 max	b1 min	d2 max	Lc max	h2 max	T	pt	Fu min	q ≈
Dongfeng	mm	mm	mm	mm	mm	mm	mm	mm	kN	kg/m
Z2814-1	88.90	44.45	38.10	22.25	115.41	60.50	12.20	—	516.0	25.0
Z2814-2					199.22			90.81	1032.0	50.0
Z3315-1	103.45	45.24	49.30	23.85	132.68	63.50	14.00	—	596.0	27.0
Z3315-2					233.78			108.10	1192.0	54.0
Z3618-1	114.30	57.15	52.30	27.97	135.86	79.20	14.00	—	814.0	38.0
Z3618-2					240.46			111.60	1624.0	76.0
Z4020-1	127.00	63.50	69.90	31.78	159.79	91.90	15.20	—	1054.0	52.0
Z4020-2					287.99			135.20	2108.0	104.0
Z4824-1	152.40	76.20	76.20	38.13	179.59	104.60	18.60	—	1521.0	68.0
Z4824-2					330.79			155.20	3042.0	136.0
Z5628-1	177.80	88.90	82.60	44.48	205.09	133.40	19.00	—	2068.0	95.0
Z5628-2					374.29			176.20	4136.0	190.0